

I N F O

INSTALLATION AND INSTRUCTION MANUAL
K Ä Y T T Ö O H J E
B R U K S A N V I S N I N G
РУКОВОДСТВО ПО ЭКСПЛУАТАЦИИ

FREEZER
PAKASTINKAARPI
FRYSSKÅP
МОРОЗИЛЬНИК

EU 6221 U

GB

FIN

S

RUS

CONTENTS

Instructions for the user

Important Safety Instructions 3

Description of the appliance 4

Use 5

Cleaning the interior 5

Control panel 5

Starting up 5

Temperature regulation 5

Quick freezing 5

Warning light 6

Acoustic alarm 6

Freezing calendar 6

Freezing of fresh foods 6

Storage of commercially frozen food 6

Thawing 6

Ice-cube production 6

Tips 7

Tips for freezing fresh foods 7

Tips for storage of commercially frozen food 7

Maintenance 8

Defrosting 8

Periodic cleaning 8

Periodios of non-operation 8

Something not Working 9

Instructions for the installer

Technical specifications 9

Installation 10

Positioning 10

Electrical connection 10

Grid preparation 10

Door reversal 11

Building the appliance in under a worktop 11

Fitting the plinth 13



IMPORTANT SAFETY INSTRUCTIONS



It is most important that this instruction book should be retained with the appliance for future reference. Should the appliance be sold or transferred to another owner, or should you move house and leave the appliance, always ensure that the book is supplied with the appliance in order that the new owner can be acquainted with the functioning of the appliance and the relevant warnings. These warnings are provided in the interest of safety. You must read them carefully before installing or using the appliance.

General Safety

- This appliance is designed to be operated by adults. Children should not be allowed to tamper with the controls or play with the product.
- It is dangerous to alter the specifications or modify this product in any way.
- Before any cleaning or maintenance work is carried out, be sure to switch off and unplug the appliance.
- This appliance is heavy. Care should be taken when moving it.
- Ice lollies can cause frost burns if consumed straight from the appliance.
- **Take utmost care when handling your appliance so as not to cause any damages to the cooling unit with consequent possible fluid leakages.**
- **The appliance must not be located close to radiators or gas cookers.**
- **Avoid prolonged exposure of the appliance to direct sunlight.**
- **There must be adequate ventilation round the back of the appliance and any damage to the refrigerant circuit must be avoided.**
- **For freezers only (except built-in models): an ideal location is the cellar or basement.**
- **Do not use other electrical appliances (such as ice cream makers) inside of refrigerating appliances.**

Service / Repair

- Any electrical work required to install this appliance should be carried out by a qualified electrician or competent person.
- This appliance should be serviced by an authorised Service Centre, and only genuine spare parts should be used.
- Under no circumstances should you attempt to repair the appliance yourself. Repairs carried out by inexperienced persons may cause injury or more serious malfunctioning. Refer to your local Service Centre, and always insist on genuine spare parts.

- This appliance contains hydrocarbons in its cooling unit; maintenance and recharging must therefore only be carried out by authorised technicians.

Use

- The domestic refrigerators and freezers are designed to be used specifically for the storage of edible foodstuffs only.
- Frozen food must not be re-frozen once it has been thawed out.
- Manufacturers' storage recommendations should be strictly adhered to. Refer to relevant instructions.
- The inner lining of the appliance consists of channels through which the refrigerant passes. If these should be punctured this would damage the appliance beyond repair and cause food loss. **DO NOT USE SHARP INSTRUMENTS** to scrape off frost or ice. Frost may be removed by using the scraper provided. Under no circumstances should solid ice be forced off the liner. Solid ice should be allowed to thaw when defrosting the appliance. See defrost instructions.
- Do not place carbonated or fizzy drinks in the freezer as it creates pressure on the container, which may cause it to explode, resulting in damage to the appliance. Do not use a mechanical device or any artificial means to speed up the thawing process other than those recommended by the manufacturer. Never use metal objects for cleaning your appliance as it may get damaged.

Installation

- Care must be taken to ensure that the appliance does not stand on the electrical supply cable. **Important:** if the supply cable is damaged, it must be replaced by authorised service or qualified personnel using a special cable of the same type.
- During normal operation, the condenser and compressor at the back of the appliance heat up considerably. For safety reasons, minimum ventilation must be as shown in the relevant Figure.

Attention: keep ventilation openings clear of obstruction.

- If the appliance is transported horizontally, it is possible that the oil contained in the compressor flows in the refrigerant circuit. It is advisable to wait at least two hours before connecting the appliance to allow the oil to flow back in the compressor.
- There are working parts in this product which heat up. Always ensure that there is adequate ventilation as a failure to do this will result in component failure and possible food loss. See installation instructions.
- Parts which heat up should not be exposed. Wherever possible the back of the product should be against a wall.
- If the appliance has been transported horizontally, it is possible that the oil contained in the compressor flows in the refrigerant circuit. It is advisable to wait at least two hours before connecting the appliance to allow the oil to flow back in the compressor.

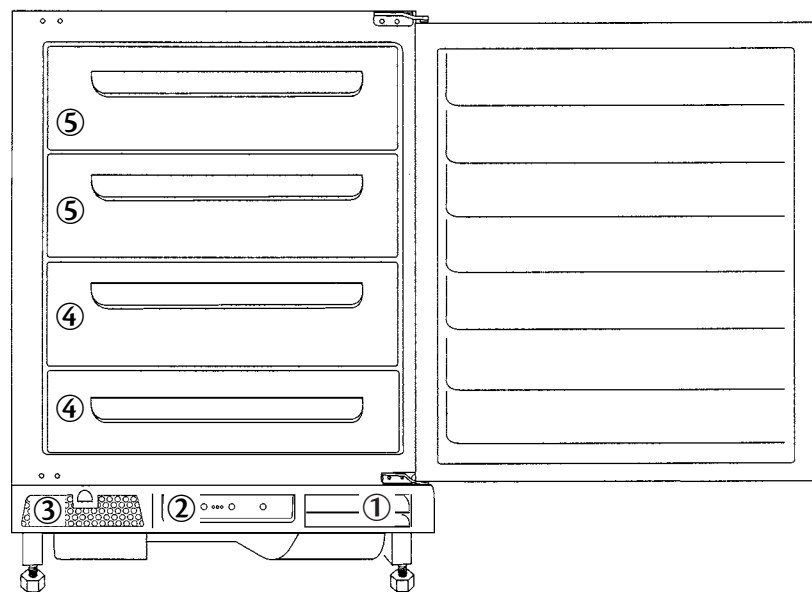


Environment Protection

- This appliance does not contain gasses which could damage the ozone layer, in either its refrigerant circuit or insulation materials. The appliance shall not be discarded together with the urban refuse and rubbish. Avoid damaging the cooling unit, especially at the rear near the heat exchanger. Information on your local disposal sites may be obtained from your municipal authorities.
- The materials used on this appliance marked with the symbol ♻ are recyclable.

DESCRIPTION OF THE APPLIANCE

- ① Air outlet duct
- ② Freezer controls
- ③ Air inlet filter
- ④ Compartments for storing frozen food
- ⑤ Compartments for freezing fresh food



i USE



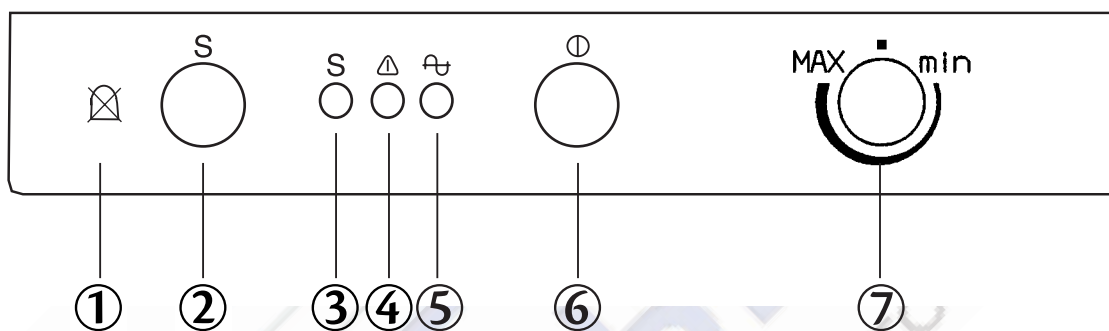
The freezer is marked with the **XXXX** symbol, which means that the compartment is suitable for freezing fresh food and long-term storage of frozen food.

Cleaning the interior

Before using the appliance for the first time, wash the interior and all internal accessories with lukewarm water and some neutral soap so as to remove the typical smell of a brand-new product, then dry thoroughly.

Do not use detergents or abrasive powders, as these will damage the finish.

Control panel



- ① Symbol for acoustic alarm
- ② Fast freeze switch and for stopping the acoustic alarm (warning light on)
- ③ Fast freeze light (yellow)
- ④ Warning light (red)
- ⑤ Pilot light (green)
- ⑥ Push button ON/OFF
- ⑦ Thermostat control knob

Starting up

Insert the plug into the wall socket. The appliance can be activated/deactivated by pressing the ON/OFF button ⑥. The pilot light ⑤ will light up to show that the appliance is on.

temperature and frequent door openings, it might be necessary to select a more suitable setting.

Turn knob ⑦ towards "max" to obtain lower temperatures and, conversely, towards "min" if a less cold temperature is required. Freezer operation can be halted by turning knob ⑦ to position «■».

Temperature regulation

Turn knob ⑦ beyond the «■» position.

To safely store frozen and deep-frozen foods, the inner temperature of the freezer must be at least -18°C or colder. Therefore, we suggest you turn the knob ⑦ to a medium setting.

The temperature inside the freezer is automatically adjusted to ensure safe storage of the food. However if the appliance works in unfavourable room conditions such as poor ventilation, high ambient

Quick freezing

Activate fast freeze by depressing the fast freeze switch ②. The pilot lamp ③ will then light up. The SUPER function can be ended by pressing the button ② again. The yellow light goes out.

Warning light

This light ④ warns when the temperature inside the appliance has increased so much as to jeopardize the preservation of food in the compartment.

When the appliance is switched on for the first time or when food is placed in the compartment for freezing, this light remains on until the temperature has reached the level required for correct storage.

Acoustic alarm

This appliance also incorporates an alarm which gives off a sound signal whenever the warning light comes on. This signal can be temporarily stopped by depressing the push button for fast freezing ②. The fast freezing push button can be released as soon as the warning light is off.

The appliance also incorporates an alarm which gives off a sound signal when the door remains open for more than 60 seconds. To stop this sound signal close the door.

Freezing Calendar

The symbols on the drawers show different types of frozen goods.

The numbers indicate storage times in months for the appropriate types of frozen goods. Whether the upper or lower value of the indicated storage time is valid depends on the quality of the foods and pre-treating before freezing.

Freezing of fresh foods

To quick-freeze foods when the appliance has not been in use, switch on the freezer and let it run on the quick-freeze setting for at least three hours before putting the food to be frozen in the compartment.

If instead the appliance is already in operation, it should run on the quick-freeze setting for at least 24 hours before the foods are put in the freezer. Once the foods have been placed in the freezer, the freezing operation can be considered to be complete 24 hours later. Once freezing is complete, the freezer should be reset for normal storage use.

Food to be frozen has to be placed in the appliance's two top compartments; if freezing only a small amount of food, use the top compartment.

The maximum amount of food which is freezable in 24 hours is indicated on the rating plate. This is to be found on the bottom left-hand side.

You should never freeze all at once a greater quantity of foods than the maximum indicated on the appliance's rating plate.

Storage of commercially frozen food

When you first start the freezer or if the freezer has been out of use for some time, we advise you to run your appliance for at least two hours in the «fast freeze» mode before storing frozen food.



Important

If there is a power failure when food is in the freezer, do not open the door of the freezer. The frozen food will not be affected if the power cut is of short duration (up to 18 hours) and the freezer is full, otherwise, it is recommended that the food should be used within a short time (a temperature increase of the frozen food shortens its safe storage period).

Thawing

Before being used, deep-frozen and frozen food can be thawed out either in the refrigerator or at room temperature, depending on the time available for this operation.

Small pieces of food, such as hamburgers, cutlets chips, and fish fingers, for example, can be cooked straight out of the freezer, without any intermediate thawing operation.

Clearly, cooking time will be marginally longer than in the case of thawed food.

Ice-cube production

This appliance is equipped with trays for the production of ice-cubes.

Fill these trays with water to 3/4 of their height, then put them in the freezer compartment. The ice-cubes may be shaken out from the trays by simply twisting; do not use metallic instruments to remove the trays from the freezer.

TIPS



Tips for freezing fresh foods

To help you get the best out of the freezing process, here are a few hints:

- Freeze only good-quality, fresh and well-cleaned foods. Split them into small portions to speed up freezing and avoid having to thaw more food than you require. It is in fact important to remember that once the foods have thawed out, they deteriorate fast.
- Another point to remember is that lean foods keep better and longer than fatty foods. Salt too reduces storage times.
- Wrap the foods in foil or polythene film, ensuring that the wrapping adheres closely to the food and is well sealed. In this way, by avoiding contact with air, the colour flavour and nutritional value of the foods remain intact.
- During the freezing process, do not add further foods for freezing and do not open the freezer door.
- The foods for freezing should not be placed in contact with already frozen foods, but put in the special freezing compartment. This will stop the temperature of already frozen foods from rising.
- Never put fizzy drinks in the freezer as they might well burst.
- In addition, never put hot foods or liquids in the freezer compartment and take care not to fill recipients up to the brim if they are covered with a lid.
- It is a good idea to mark the packs with the date on which freezing started so that you can keep a check on storage periods.


Tips for storage of commercially frozen food

To get the best out of your freezer, in the case of storage of commercially frozen food you should ensure that:

- the products have been correctly stored by the retailer;
- that there is only a very short time between when you purchase the products and when you put them in the freezer;
- you do not store products for longer than the time specified by the food manufacturer;
- In addition, if the freezer has been out of use for some time, before putting the products in the compartment let the freezer run for at least two hours on the quick-freeze (SUPER) setting. After this, reset the freezer for normal storage use;
- Avoid opening the door too frequently and when you do open it, leave it open only for as long as is strictly necessary;
- A word of warning about ice lollies: they should not be eaten straight out of the freezer as this might cause cold burns.

MAINTENANCE

Unplug the appliance before carrying out any maintenance operation.


 **Warning**
This appliance contains hydrocarbons in its cooling unit maintenance and recharging must therefore only be carried out by authorised technicians.

Defrosting


The freezer compartment will become progressively covered with frost. This should be removed with the special plastic scraper provided, whenever the thickness of the frost exceeds 1/4".

During this operation it is not necessary to switch off the power supply or to remove the foodstuffs. However, when the ice becomes very thick on the inner liner, complete defrosting should be carried out and it is advisable to carry out this operation when the appliance is empty.

To carry out complete defrosting proceed as follows:

1. Remove any stored food, wrap it in several layers of newspaper and put it in a cool place.
2. Turn the thermostat control  to the «■» setting.
3. Leave the door open.
4. Remove the three large drawers.
5. When defrosting is completed, remove the water that has collected in the small bottom drawer and dry the interior thoroughly.

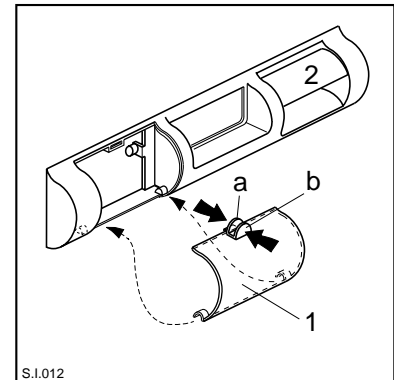
Keep the scraper for future use.

 **Warning**
Never use metal objects for defrosting your appliance as it may get damaged.
Do not use a mechanical device or any artificial means to speed up the thawing process other than those recommended by the manufacturer.
A temperature increase of the frozen food shortens its safe storage period.

Periodic cleaning

Never use metal objects for cleaning your appliance as it may get damaged. Clean the inside with warm water and bicarbonate of soda. Rinse and dry thoroughly.

The appliance is equipped with an air inlet filter (1) and an air outlet duct (2) on the ventilation grid. Keep clean to guarantee good ventilation and good working order of the appliance.



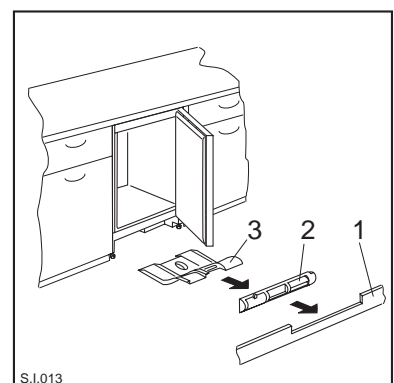
The filter can be removed and washed with water, as follows:

1. Pinch flaps (a) and (b) with fingers
 2. Pull the filter down.
 3. Pull the filter out.
- To replace the filter reverse the process.

An accumulation of dust will affect the performance of the appliance and cause excessive electricity consumption.

The structure of the appliance permits cleaning of the rear zone close to the wall, using a vacuum cleaner.

1. Remove the plinth (1), then the ventilation grid (2);
2. Carefully pull the air deflector out (3).



Periods of non-operation

When the appliance is not in use for long periods, take the following precautions:

remove the plug from the wall socket;
remove all food:

defrost and clean the interior and all accessories;

leave the door ajar to allow air to circulate to prevent unpleasant smells.

SOMETHING NOT WORKING



If the appliance is not functioning properly, check that:

Dérangement	Remède
Appliance does not function, no pilot light is illuminated.	<ul style="list-style-type: none">- Appliance is not switched on; switch appliance on.- Mains plug is not inserted or is loose; insert mains plug.- Fuse has blown or is defective; check fuse, replace if necessary.- Mains socket is defective; Mains malfunctions are to be corrected by an electrician.
The freezer temperature is not sufficient, red light lights up.	<ul style="list-style-type: none">- Temperature is not properly adjusted; please refer to the section "Temperature regulation".- Door was open for a long time; only leave the door open as long as necessary.- Within the last 24 hours a large quantity of warm foods were loaded; press the fast freeze button.- Appliance is next to a source of warmth; please refer to the section "Location".
Large accumulation of frost in the appliance, perhaps also at the door seal.	<ul style="list-style-type: none">- Door is not properly sealed (perhaps after re-hanging door); carefully warm the door seal with a hand-held hair dryer at those points which are not airtight (no warmer than approx. 50°C). At the same time, shape the warmed door seal by hand, so that it is again properly seated.
Unusual noises.	<ul style="list-style-type: none">- Appliance is not level; readjust the front levelling feet.- Appliance is in contact with wall or other objects; push appliance away a short distance.- A part at the back of the appliance, e.g. a tube, is in contact with another appliance part or the wall; bend this part away carefully if necessary.
The compressor does not start immediately after pressing the fast freeze button or after changing the temperature setting.	<ul style="list-style-type: none">- This is normal, no error has occurred; the compressor starts after a period of time.

If your appliance is still not working properly after making the above checks, contact the nearest service centre.

To obtain fast service, it is essential that when you apply for it you specify the model and serial number of your appliance which can be found on the guarantee certificate or on the rating plate located inside the appliance, on the bottom left-hand side.

TECHNICAL SPECIFICATIONS

The technical data is indicated in the rating plate on the left side inside the appliance.

INSTALLATION

If this appliance featuring magnetic door seals is to replace an older appliance having a spring lock (latch) on the door or lid, be sure to make that spring lock unusable before you discard the old appliance. This will prevent it from becoming a death-trap for a child.

Positioning

The appliance should be installed well away from sources of heat such as radiators, boilers, direct sunlight etc.

Best performance is obtained with ambient temperature between +18°C and +43°C (class T); +18°C and +38°C (class ST); +16°C and +32°C (class N); +10°C and +32°C (class SN).

The class of your appliance is shown on its rating plate.

For building-in and door reversibility refer to the relevant instructions.

Electrical connection

Before plugging in, ensure that the voltage and frequency shown on the serial number plate correspond to your domestic power supply. Voltage can vary by +6% of the rated voltage. For operation with different voltages, a suitably sized auto-transformer must be used.



Important

The appliance must be earthed.

The power supply cable plug is provided with a contact for this purpose.

If the domestic power supply socket is not earthed, connect the appliance to a separate earth in compliance with current regulations, consulting a specialist technician.

The Manufacturer declines all responsibility if the above safety precautions are not observed.

This appliance complies with EEC directive number 87/ 308 of 2/6/87 relative to radio interference suppression.

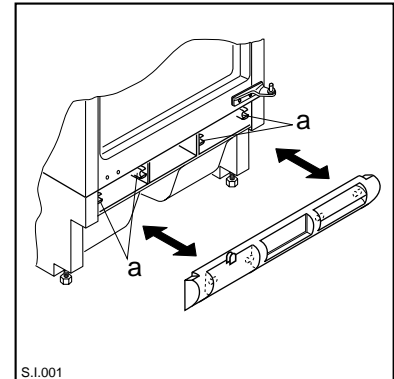


This appliance complies with the following E.E.C. Directives:

- 73/23 EEC of 19.2.73 (Low Voltage Directive) and subsequent modifications;
- 89/336 EEC of 3.5.89 (Electromagnetic Compatibility Directive) and subsequent modifications.

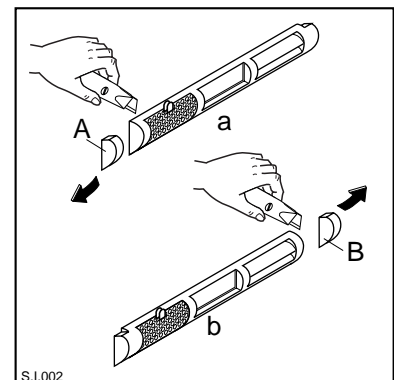
Grid preparation

Remove the grid from the appliance pulling it towards you with hands.



Right door opening:

Remove the left side (A) of the grid cutting it from the rear (see figure, a).



Left door opening:

Remove the right side (B) of the grid cutting it from the rear (see figure, b).

To reposition the grid on the appliance proceed as follows:

Apply the grid to the base of the appliance by pushing the clasps (a) until they click.

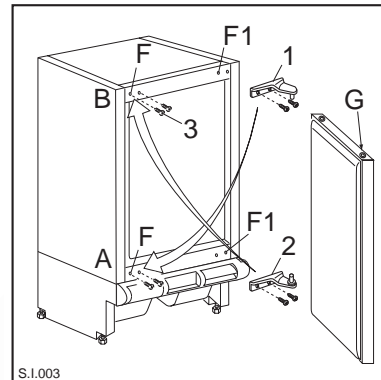
N.B. The grid is to be assembled after having fixed the appliance in the niche with the brackets.



Door reversal

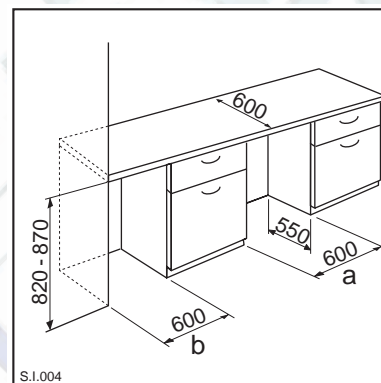
The appliance must be unplugged before starting work. To reverse the opening direction of the door, proceed as follows:

1. Remove the top hinge (1) taking care not to let the door fall.
2. Remove the bottom door hinge (2).
3. Take out the plugs (3) from the holes (F) and reinsert them in the holes (F₁) on the opposite side.
4. Refit the upper hinge (1) on the opposite side, on the bottom (position A).
5. Refit the door on the pin of the hinge (1) in position A;
6. Insert the pin of the previously removed bottom hinge (2) in the upper hole (G) of the door, therefore fix the hinge on the top in position B.



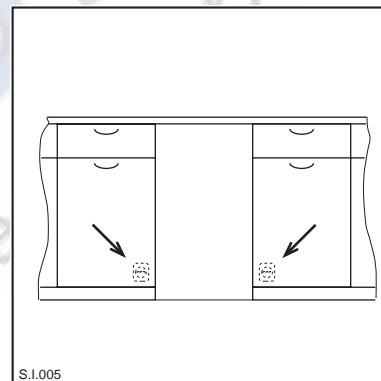
Building in the appliance under a worktop

The dimensions of the recessed installation area must correspond with those indicated in the figure. The appliance could be inserted between two units (a) or as an end unit (b).

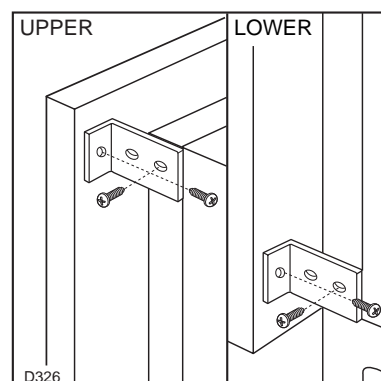


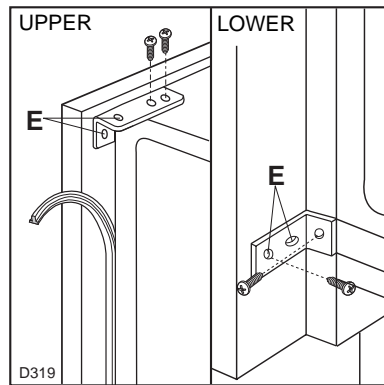
Important

It must be possible to disconnect the appliance from the mains power supply; the plug must therefore be easily accessible after installation.

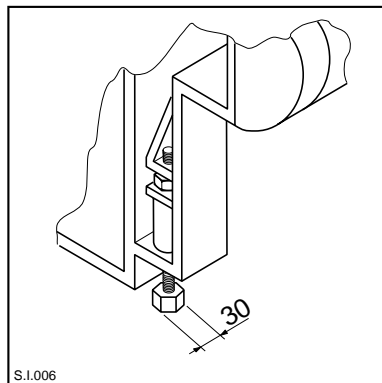


Fasten the side panel to the rear of the appliance with the fixing brackets.

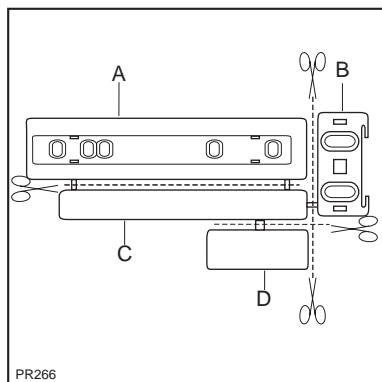




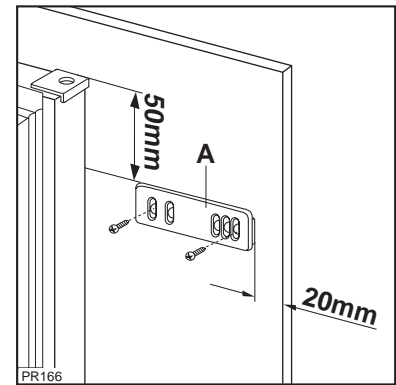
Fasten the appliance to the worktop or the sides, applying the sealing strip between the appliance and adjacent cabinet using the fixing brackets (E).



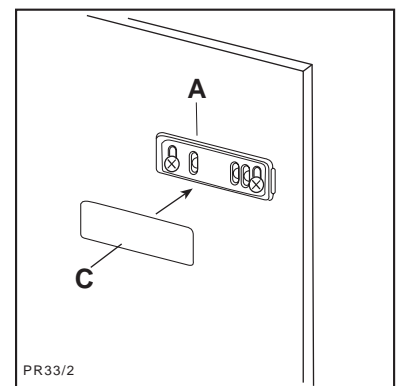
The appliance is equipped with adjustable support feet. To adapt the appliance to the height of the installation area (max 870 mm), screw in, or screw out the feet situated in the four bottom corners.



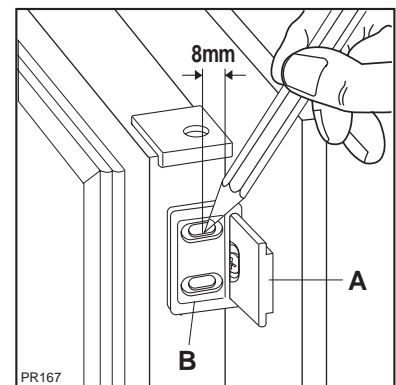
Separate parts A, B, C, D as shown in the figure.



Place guide (A) on the inside part of the furniture door, in the upper and lower positions as shown in the figure and mark the position of external holes. Having drilled the holes, fix the guide with the screws supplied.



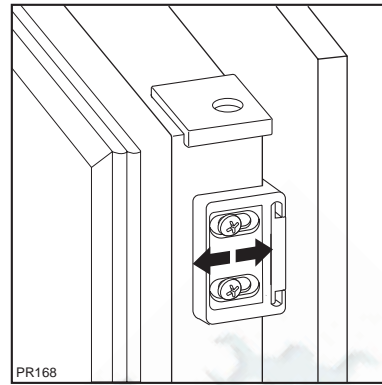
Fix cover (C) on guide (A) until it clips into place.



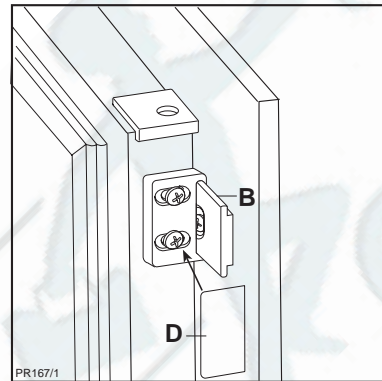
Open the appliance door and the furniture door at 90°. Insert the small square (B) into guide (A). Put together the appliance door and the furniture door and mark the holes as indicated in the figure. Remove the squares and drill holes with $\varnothing 2$ mm at 8 mm from the outer edge of the door. Place the small square on the guide again and fix it with the screws supplied.



Should adjustment of the furniture door be necessary, use the clearance of slots as required. At the end of operations, it is necessary to check if the door of the furniture closes properly.



Fix cover (D) on guide (B) until it clips into place.

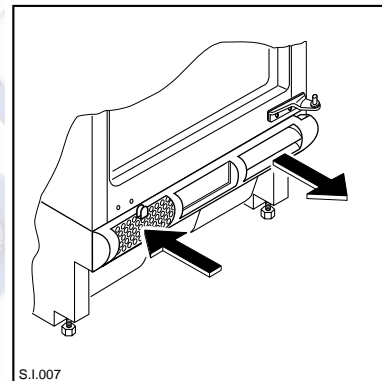


Fitting the plinth

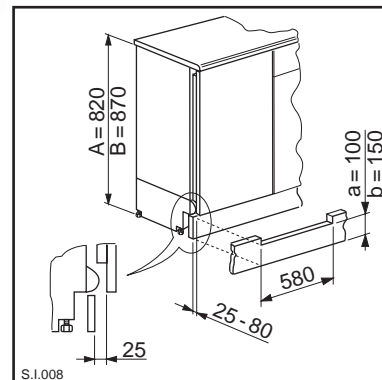


Important

For the efficient operation of the appliance, it is important that the original ventilation grid is used.



- For an opening height dimension $A=820$ mm and a plinth height dimension $a=100$ mm, the plinth may be fitted without adjustments. The same applies to an opening height dimension $B=870$ mm and a plinth height dimension $b=150$ mm.
- For plinth heights greater than $a=100$ mm, $b=150$ mm, a cut should be made in the plinth, 580 mm wide, in the centre of the appliance position, leaving a remaining height of $a=100$ mm, $b=150$ mm.
- Attach plinth to the kitchen units.



Important

The plinth must be positioned at a minimum distance of 25 mm from the door.

Содержание



**Важные рекомендации и
советы** 40

Инструкции для пользователя

Описание прибора 41

Эксплуатация 41

Предварительная чистка 41

Панель управления 42

Включение и регулировка температуры 42

Быстрое замораживание 42

Предупредительный сигнал 42

Календарь замораживания 42

Звуковая сигнализация 42

Замораживание свежих продуктов 43

Хранение замороженных продуктов 43

Размораживание продуктов 44

Приготовление кубиков льда 44

Уход 44

Размораживание 44

Периодическая чистка 44

Когда прибор не используется 45

**Техническое обслуживание
исервисные центры** 45

Для монтажника

Технические данные 45

Монтаж 46

Место установки 46

Подключение к электросети 46

Подготовка вентиляционной решетки 46

Изменение направления открывания двери 47

Встраивание прибора под столешницу 47

Установка плинтуса 49



Важные рекомендации и советы

Чрезвычайно важно, чтобы данное руководство хранилось в надежном, но доступном для пользователей месте, чтобы в случае необходимости они всегда могли к нему обратиться. Если прибор будет продан или передан другому лицу, необходимо приложить к прибору и руководство по эксплуатации, чтобы новый владелец мог ознакомиться с работой машины и с соответствующими рекомендациями.

Данные рекомендации были подготовлены с целью обеспечения вашей безопасности при пользовании прибором. Перед установкой или использованием прибора рекомендуем вам внимательно ознакомиться с инструкцией.

Общие сведения о безопасности

- Если ваш прибор оснащен замком, а не магнитным уплотнителем, при утилизации старого холодильника с замком мы рекомендуем вывести замок из строя. Это позволит избежать несчастных случаев, когда дети во время игры могут оказаться запертыми внутри прибора.
- Перед проведением любых работ по уходу и техническому обслуживанию прибора, а также в случае замены лампочки (при наличии) необходимо вынуть вилку прибора из розетки.
- Данный прибор предназначен для использования только взрослыми. Следите за тем, чтобы дети не приближались к прибору и не играли с его регуляторами.
- Убедитесь, что после установки прибор не стоит на кабеле питания.
- Ни в коем случае не пытайтесь вносить какие-либо изменения в устройство данного прибора!
- **При перемещении прибора старайтесь не повредить элементы холодильной установки и предотвратить вытекание хладагента.**
- **Прибор не следует устанавливать рядом с отопительными батареями или газовыми плитами.**
- **Избегайте продолжительного попадания на прибор солнечных лучей.**
- **Необходимо обеспечить надлежащую циркуляцию воздуха вокруг задней части прибора. Контур хладагента ни в коем случае не должен быть поврежден.**
- **Только для морозильников (кроме встроенных): наилучшее место установки - это погреб.**
- **Не ставьте в холодильник другие электроприборы (например, мороженицу), если в инструкциях к этим приборам не указано, что вы можете это сделать.**
- Ни в коем случае не пытайтесь отремонтировать прибор самостоятельно. Ремонт, выполненный неквалифицированным персоналом, может стать причиной ущерба. Обратитесь в ближайший авторизованный изготовителем сервисный центр (см. отдельный список сервисных центров). Для ремонта должны использоваться только фирменные запасные части.
- Не используйте никаких механических инструментов или других искусственных средств для ускорения размораживания, кроме указанных в данном руководстве.

Эксплуатация

- Домашние холодильники и/или морозильники предназначены только для хранения и/или замораживания продуктов питания.
- Во всех холодильных приборах имеются поверхности, покрываемые инеем. В зависимости от модели этот иней может удаляться автоматически (автоматическое размораживание) или вручную. Ни в коем случае не пытайтесь удалить иней заостренным предметом: это может безвозвратно повредить испаритель.
- Ни в коем случае не кладите в низкотемпературные отсеки (морозильник или холодильник) газированные напитки, так как они могут взорваться.
- Не кладите в холодильник горячие жидкости или продукты, и не наполняйте сосуды с крышкой жидкостью под горлышко.
- Холодильная система данного прибора содержит углеводороды, поэтому, обслуживание и заправка должны выполняться только персоналом, уполномоченным изготовителем.
- Не пользуйтесь металлическими предметами для чистки прибора, так как они могут повредить его.

Обслуживание и ремонт

- Любые изменения бытовой электрической системы, необходимые для подключения прибора, должны быть выполнены уполномоченным на это специалистом.

Установка

RUS

- Во время нормальной работы конденсатор и компрессор, которые находятся в задней части прибора, значительно нагреваются. В целях вашей безопасности необходимо обеспечить надлежащую циркуляцию воздуха за прибором (см. раздел “Монтаж”).

Внимание: ни в коем случае не заслоняйте вентиляционные отверстия.

- Если прибор перевозится в горизонтальном положении, возможно, что масло, содержащееся в компрессоре, попадет в холодильный контур. Поставьте прибор в вертикальное положение не менее чем на 2 часа перед его включением, чтобы масло вытекло в компрессор.

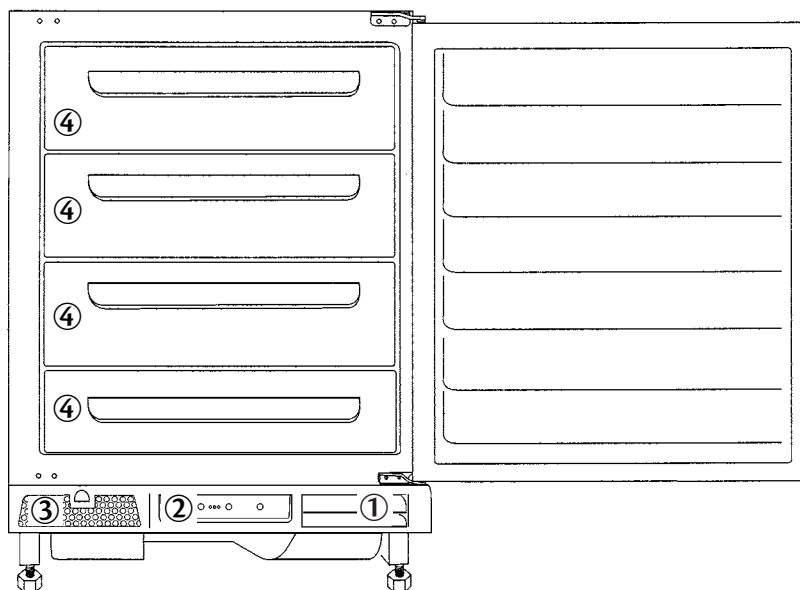


Защита окружающей среды

- Холодильная система и теплоизоляция данного прибора не содержит озоноразрушающих компонентов. Прибор нельзя утилизировать вместе с городскими отходами и металлоломом. Необходимо предотвратить повреждение холодильной системы, особенно в задней части, рядом с теплообменником. Информацию о центрах утилизации можно получить в местной администрации.
- Использованные в данном приборе материалы с символом ♻️ могут быть переработаны для дальнейшего использования.

i Описание прибора

- ① Отверстие для выхода воздуха
- ② Панель управления
- ③ Фильтр отверстия для входа воздуха
- ④ Ящики для хранения замороженных продуктов



i Эксплуатация

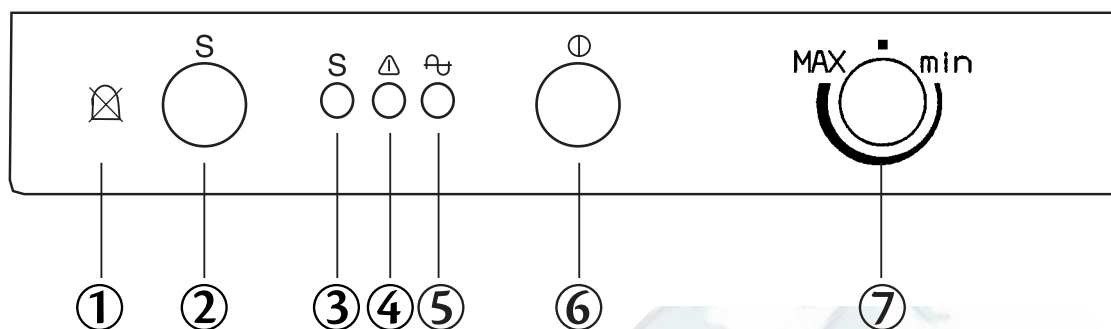
Этот морозильник класса ******* может использоваться для замораживания свежих продуктов, для хранения замороженных продуктов и для приготовления кубиков льда.

Предварительная чистка

До ввода прибора в эксплуатацию рекомендуется вымыть внутренние поверхности и аксессуары прибора теплой водой и мягким моющим средством для устранения запаха нового прибора. Аккуратно вытрите прибор насухо. Для

чистки внутренней части прибора не следует использовать моющие средства с острым запахом или абразивные порошки, которые могут повредить покрытие.

Панель управления



- ① Символ звуковой сигнализация
- ② Переключатель быстрого замораживания
- ③ Индикатор быстрого замораживания (желтый)
- ④ Предупредительный сигнал (красный)
- ⑤ Сигнальная лампа работы (зеленая)
- ⑥ Кнопка ВКЛ./ВЫКЛ.
- ⑦ Регулятор температуры

Включение и регулировка температуры

Включите вилку электрического кабеля прибора в ближайшую розетку (загорится сигнальная лампа работы ⑤, указывая на то, что прибор подключен к сети).

Поверните регулятор температуры ⑦ влево до среднего положения.

Для нормального хранения замороженных продуктов температура внутри морозильника должна быть ниже -18°C .

Чтобы понизить температуру внутри морозильной камеры, поверните регулятор по часовой стрелке (на большие значения). Если Вы хотите повысить температуру в морозильной камере, поверните регулятор против часовой стрелки.

Может возникнуть необходимость изменить положение регулятора при изменении температуры в помещении, перестановке прибора в другое место или изменении частоты открывания двери прибора и др.

Чтобы выключить морозильник, поверните регулятор температуры в положение «■».

сигнальная лампа горит до тех пор, пока температура внутри морозильной камеры не достигнет уровня, необходимого для нормального хранения продуктов.

Чтобы нормальная температура в морозильной камере установилась быстрее, нажмите кнопку быстрого замораживания ②.

В случае если предупредительный сигнал горит более двух дней, и Вы проверили, что дверь прибора закрыта нормально, обратитесь в сервисный центр.

Календарь замораживания

Символы на ящиках обозначают разные типы замороженных продуктов.

Цифры указывают время хранения в месяцах для соответствующих типов замороженных продуктов. В зависимости от качества и режима хранения продуктов до замораживания следует руководствоваться большей или меньшей величиной указанного периода времени хранения.

Быстрое замораживание

Включите переключатель ②. Загорится желтая сигнальная лампа ③.

Предупредительный сигнал

Лампа ④ загорается при таком повышении температуры внутри морозильной камеры, что создается угроза для нормального сохранения продуктов. При первом включении прибора или при помещении в прибор теплых продуктов эта

Звуковая сигнализация

Данный прибор оснащен звуковой сигнализацией, сопровождающей включение предупредительного сигнала. Звуковой сигнал можно выключить, нажав кнопку быстрого замораживания ②. Кнопку можно отжать, как только погаснет предупредительный сигнал. Данный прибор оснащен также звуковой сигнализацией, включающейся если дверь остаётся открытой более 60 секунд. Чтобы выключить звуковой сигнал закройте дверь.



Замораживание свежих продуктов

Если морозильный шкаф был выключен, то чтобы быстро заморозить продукты, следует включить прибор и дать ему поработать до загрузки продуктов в режиме быстрого замораживания, по крайней мере, три часа.

Если прибор уже работает, перед загрузкой теплых продуктов он должен поработать в режиме быстрого замораживания, по крайней мере, 24 часа. После помещения продуктов в морозильник процесс замораживания можно считать завершенным по прошествии 24 часов.

После окончания замораживания морозильник следует перевести в нормальный режим работы. Замораживаемые продукты кладите в два верхних ящика морозильной камеры. При замораживании небольших количеств продуктов используйте только верхний ящик. Максимальное количество продуктов, которое может быть заморожено в течение 24 часов, указано на табличке с техническими данными, которая находится в нижней части левой боковой стенки прибора.

Не следует одновременно замораживать больше продуктов, чем указано на табличке с техническими данными.

Для получения наилучших результатов при замораживании приведем несколько полезных советов:

Замораживайте только свежие, хорошо вымытые продукты.

Разделите продукты на небольшие порции, чтобы обеспечить быстроту замораживания и при необходимости размораживать только необходимое количество.

Важно помнить, что продукты, которые уже размораживались, быстрее портятся.

Также следует помнить, что продукты с меньшим содержанием жира хранятся лучше и дольше, чем жирные, и что соль тоже снижает время хранения.

Заворачивайте продукты в фольгу или в полиэтиленовую пленку так, чтобы упаковка была герметичной. В такой упаковке продукты не будут контактировать с воздухом и сохранятся их цвет, запах и вкусовые качества.

Во время процесса замораживания не добавляйте новых продуктов и не открывайте дверь прибора.

Новые продукты помещайте в морозильник так, чтобы они не соприкасались с уже замороженными. Новые продукты следует класть в отдельный отсек. Это предотвратит повышение температуры замороженных продуктов.

Никогда не кладите в морозильник газированные жидкости. Они могут взорваться.

Кроме того, никогда не кладите в морозильник неостывшие продукты и не заполняйте замораживаемые сосуды с жидкостью, закрытые крышкой, до верха.

Желательно на упаковке указать дату замораживания, что позволит контролировать время хранения.

Хранение замороженных продуктов

При первом включении холодильника или при его включении после долгого периода неиспользования перед загрузкой продуктов дайте прибору поработать в режиме быстрого замораживания в течение, по крайней мере, трех часов.

Для получения наилучших результатов хранения продуктов следует:

убедиться в том, что продукты промышленной заморозки имели нормальный режим хранения в магазине;

позаботиться о том, чтобы замороженные продукты были доставлены из магазина в морозильник в кратчайшие сроки;

не открывать дверь морозильника часто и не оставлять ее открытой дольше, чем это необходимо;

После размораживания продукты быстро портятся и их нельзя вторично замораживать.

Употребляйте продукты до истечения срока хранения, указанного изготовителем.



Важно

Если произошел перерыв в подаче питания, а в морозильнике есть продукты, не открывайте дверь морозильника. Перерыв в подаче питания в течение некоторого времени (18 часов) не повлияет на качество хранения продуктов в полном морозильнике. В противном случае продукты следует употребить как можно скорее (повышение температуры замороженных продуктов укорачивает время их хранения).

Размораживание продуктов

Замороженные продукты и продукты глубокой заморозки можно размораживать в холодильнике или при комнатной температуре в зависимости от времени, отведенного на размораживание. Небольшие порции продуктов можно приготавливать даже в замороженном виде, сразу после извлечения из морозильника. В этом случае время приготовления будет больше.

Уход

Перед выполнением любых операций по уходу и техническому обслуживанию следует вынуть вилку из розетки.



Предупреждение

Охлаждающая система данного прибора содержит углеводород, поэтому профилактические работы и заправку прибора должны проводить только специалисты из авторизованных изготовителем сервисных центров.

Размораживание

На внутренних поверхностях морозильника постепенно образуется слой инея. Если толщина этого слоя превышает 4 мм, его следует удалить пластмассовым скребком, прилагаемым к прибору.

Никогда не используйте для этих целей острые металлические предметы, так как они могут повредить прибор.

Однако, если слой льда очень толстый, необходимо произвести размораживание. Для этого поступайте следующим образом:

1. переведите регулятор температуры ⑦ в положение «■» или выньте вилку прибора из розетки;
2. выньте из морозильника продукты, заверните их в несколько слоев газеты и поместите в холодное место;
3. выньте три больших ящика из морозильника (при наличии);
4. оставьте дверь открытой.

После завершения размораживания удалите воду, собравшуюся в нижнем ящике и насухо вытрите дно морозильника и металлические полки губкой и сухим полотенцем.

Сохраните скребок для использования в будущем. Снова поместите маленький нижний ящик и большие ящики в морозильник на соответствующие полки.

Приготовление кубиков льда

Прибор снабжен формами для приготовления кубиков льда.

Заполните форму водой и поместите ее в морозильную камеру.

Если форма приморозилась к полке морозильника, не используйте металлические инструменты чтобы отделить форму.

Установите регулятор температуры ⑦ в выбранное положение или включите вилку в розетку.

После того как прибор проработает 3 часа в режиме быстрого замораживания, переключатель ② следует установить в нормальный режим работы.

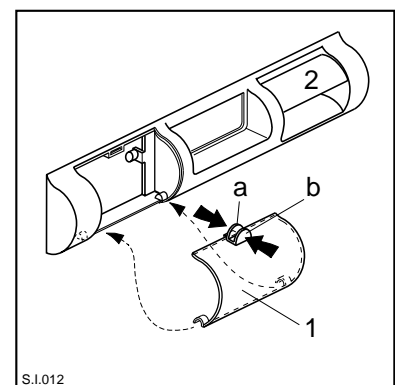


Важно

Повышение температуры замороженных продуктов во время размораживания может сократить время их хранения.

Периодическая чистка

Прибор оборудован вентиляционной решеткой с фильтром на защелке (1) и с отверстием для выхода воздуха (2). Следите за чистотой вентиляционной решетки и фильтра для того, чтобы гарантировать хорошую вентиляцию и нормальное функционирование прибора.



Фильтр можно снять и промыть водой.

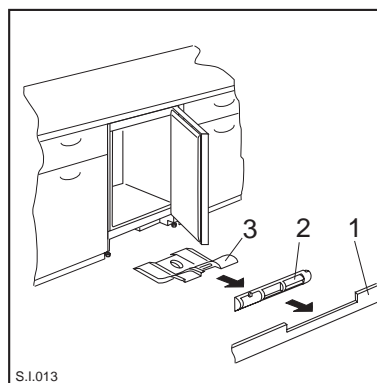
1. Нажмите пальцами на защелки (a) и (b);
2. поверните фильтр вниз;
3. вытяните фильтр.

Чтобы поставить фильтр на место проделайте эти операции в обратном порядке.

Конструкция прибора позволяет произвести чистку пространства под прибором и за прибором у стены.

Используйте для этого пылесос.

1. Снимите плинтус (1) и затем вентиляционную решетку (2);
2. осторожно вытяните из-под прибора конденсаторную часть (3).



Когда прибор не используется

Если прибор не используется долгое время, предпримите следующие меры предосторожности:

- выньте штепсель из розетки;
- выньте из холодильника все продукты;
- разморозьте холодильник и вымойте холодильную камеру и все принадлежности;
- оставьте дверь холодильника приоткрытой, чтобы в него был свободный доступ воздух и не образовался неприятный запах.

i Техническое обслуживание исервисные центры

Если вы обнаружили неполадки в работе прибора проверьте следующее:

Если прибор не работает:

- Проверить, подключена ли вилка к розетке;
- Проверить исправность источника питания (путем подключения другого прибора к этому источнику);
- Если компрессор не работает, необходимо убедиться, что термостат не находится в положении «■».

Если все описанные выше операции не устранили неполадки, то необходимо обратиться в сервис-центр, указав при этом модель и заводской номер прибора, приведенные на табличке.

Список авторизованных изготовителем сервисных центров приведен в отдельном списке.

i Технические данные

Технические данные указаны на заводской табличке, расположенной во внутренней части прибора, слева.

Высота 815 мм

Ширина 560 мм

Глубина 538 мм

Мощность замораживания 18 кг в сутки

Время повышения температуры в случае обрыва в подаче питания 18 часов

Монтаж

Предупреждение Если настоящий прибор с магнитным уплотнением двери устанавливается вместо прибора, дверь которого закрывается с помощью замка, перед утилизацией старого прибора нужно сделать такой замок неработоспособным (чтобы дети во время игры не оказались случайно запертыми внутри).

Место установки

Прибор не следует устанавливать вблизи любых источников тепла (калориферов, печей, прямого солнечного излучения и т.п.).

Наилучшие условия работы обеспечивает установка прибора в помещении с температурой от +18°C до +43°C (класс T);
от +18°C до +38°C (класс ST);
от +16°C до +32°C (класс N);
от +10°C до +32°C (класс SN).

Климатический класс указывается на табличке с техническими данными прибора.


Подключение к электросети

Важная информация! Прибор должен быть подключен к эффективной системе заземления. Кабель питания имеет специальный заземляющий контакт.

При отсутствии надлежащего заземления в домашней электросетке прибор должен быть подключен к специальному проводу заземления специалистом-электриком при соблюдении установленных правил безопасности.

Завод-изготовитель не отвечает за несчастные случаи, произошедшие по причине несоблюдения приведенных рекомендаций.

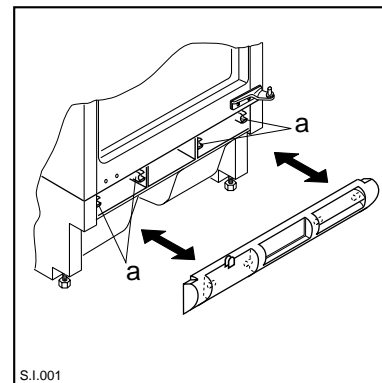
Настоящий прибор соответствует директиве ЭЭС N 87/308 от 2.6.87 о подавлении радиопомех.

 Прибор соответствует также следующим контактам директивам общего рынка:

- **73/23/CEE** 19/02/73 (Директива по низкому напряжению) с последующими изменениями.
- **89/336/CEE** 03/05/89 (Директива по электромагнитной совместимости) с последующими изменениями.

Подготовка вентиляционной решетки

Снимите решетку с прибора, потянув ее руками на себя.



При открывании двери справа:

- удалите левую часть решетки (A), отрезав ее с тыльной стороны.

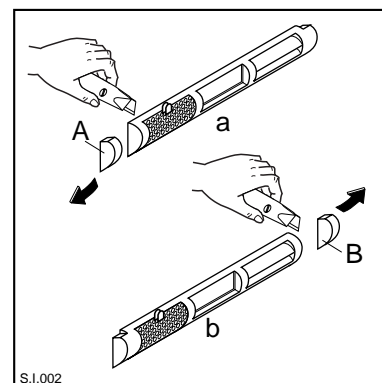
При открывании двери слева:

- удалите правую часть решетки (B), отрезав ее с тыльной стороны.

После этого чтобы установить решетку на прибор сделайте следующее:

- приложите решетку к прибору и нажимайте на нее в местах защелок (a) до тех пор, пока не услышите щелчок.

Примечание: Работы по установке вентиляционной решетки следует проводить после закрепления прибора фиксирующими скобами в отведенной для него нише.



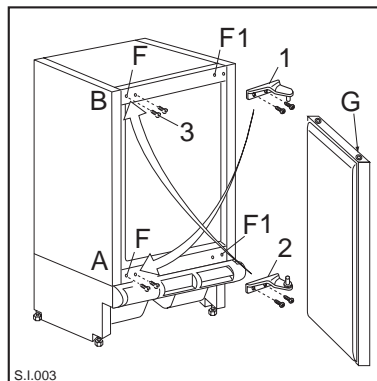


Изменение направления открывания двери

Перед началом работы следует вынуть штепсель из розетки.

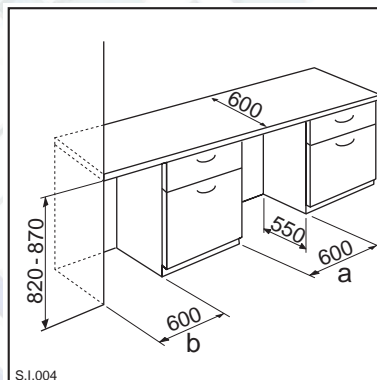
Для того чтобы изменить направление открывания двери сделайте следующее:

1. снимите верхнюю петлю (1), придерживая дверь, чтобы она не упала;
2. снимите нижнюю петлю (2);
3. выньте заглушки (3) из отверстий (F) и вставьте их в отверстия (F1) на другой стороне прибора;
4. установите верхнюю петлю (1) на другой стороне прибора снизу (положение А);
5. установите дверь в петлю (1) в положении А;
6. вставьте штифт незакрепленной нижней петли (2) в верхнее отверстие двери (G) и закрепите петлю в положении В



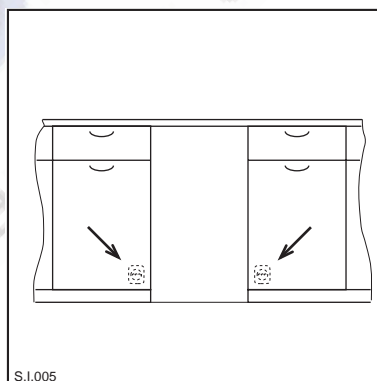
Встраивание прибора под столешницу

Размеры монтажного проема для встраивания должны соответствовать указанным на рисунке. Прибор может быть установлен между двумя предметами мебели (а) или замыкать мебельный ряд (b).

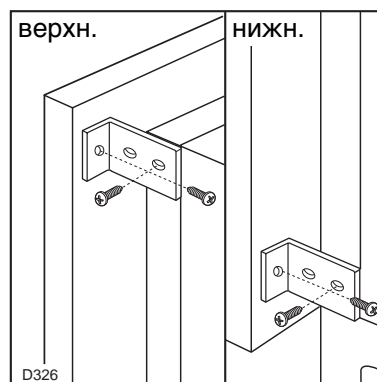


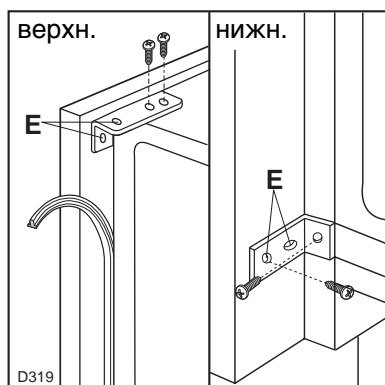
Внимание

Следует предусмотреть возможность отключения прибора от сети, следовательно, необходимо, чтобы после установки к вилке имелся доступ.

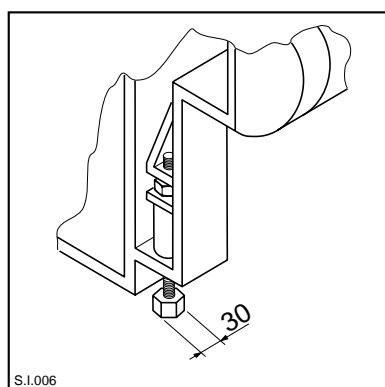


Прикрепите боковые панели к задней панели прибора с помощью фиксирующих скоб.

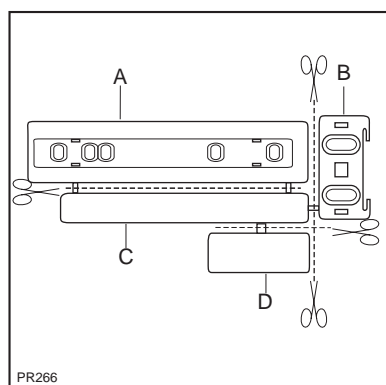




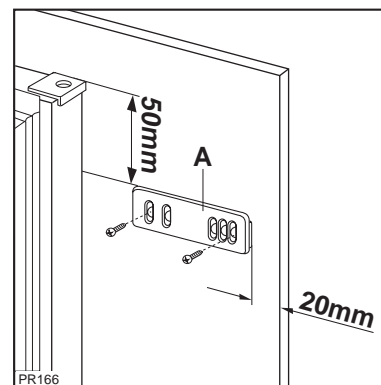
Прикрепите прибор к столешнице или к боковым панелям с помощью фиксирующих скоб (E). Затем между морозильником и прилегающими панелями мебели проложите ленту уплотнителя.



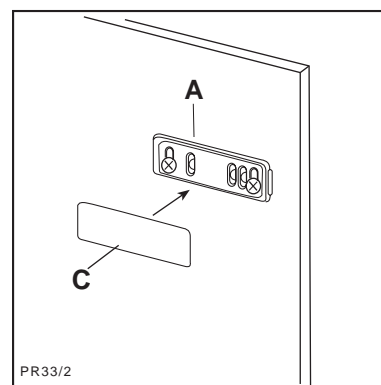
Холодильник снабжен регулируемыми ножками. Чтобы настроить высоту прибора в соответствии с высотой монтажного проема (макс. 870 мм), вкрутите или выкрутите регулируемые ножки во всех четырех нижних углах прибора.



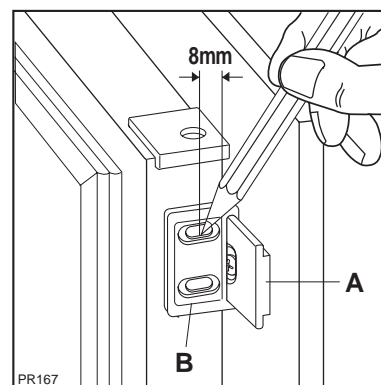
Отделите детали A, B, C, D, как показано на рисунке.



Приложите направляющую (A) на внутреннюю сторону двери шкафа, сверху и снизу, как показано на рисунке, и отметьте положение крайних отверстий. Подготовив отверстия, установите направляющую при помощи входящих в комплект винтов.



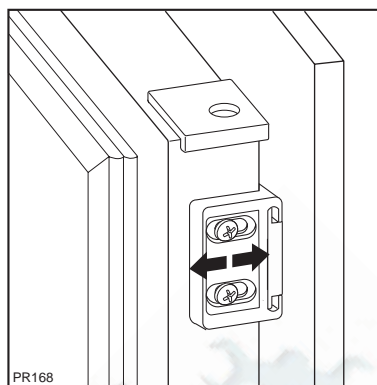
Установите и защелкните крышку (C) на направляющей (A).



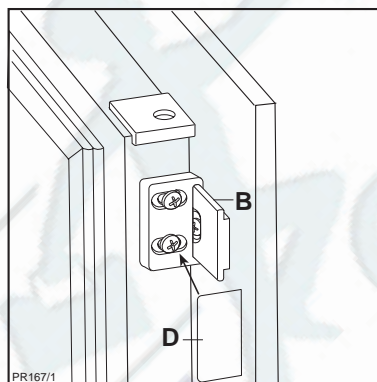
Откройте дверь морозильника и шкафа приблизительно на 90°. Вставьте кронштейн (B) в направляющую (A). Удерживайте двери прибора и шкафа вместе и отметьте отверстия, как показано на рисунке. Снимите кронштейны и просверлите отверстия диаметром 2 мм на расстоянии 8 мм от наружной кромки двери. Вновь установите кронштейн на направляющую и закрепите входящими в комплект винтами.



Для выравнивания двери шкафа пользуйтесь регулировочными прорезями. Выполнив эти операции, необходимо проверить плотность закрытия двери прибора.



Установите и защелкните крышку (D) на направляющей (B).

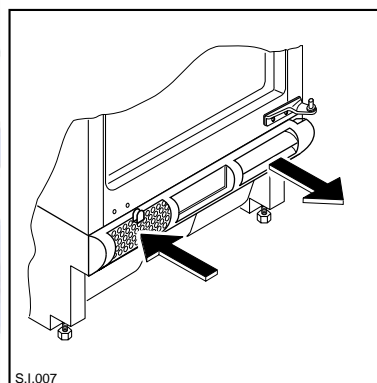


Установка плинтуса

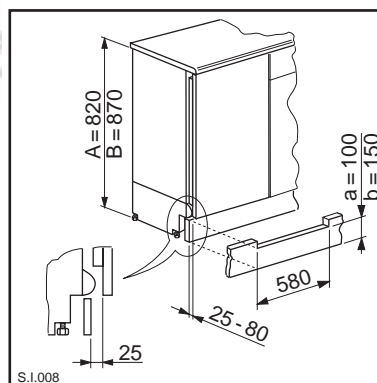


Важно

Для эффективной работы прибора важно, чтобы использовалась оригинальная вентиляционная решетка.



- Если высота монтажного проема составляет $A=820$ мм, а высота плинтуса $a=100$ мм, плинтус может быть установлен без дополнительных настроек. Также дополнительные настройки не требуются, если высота монтажного проема $B=870$ мм, а высота плинтуса $b=150$ мм.
- Если высота плинтуса больше $a=100$ мм, $b=150$ мм, то в плинтусе следует сделать вырез шириной 580 мм. Прибор должен быть установлен по центру этого выреза и высота плинтуса в месте выреза должна составлять $a=100$ мм, $b=150$ мм.
- Закрепите плинтус.



Важно

Плинтус должен быть закреплен на минимальном расстоянии 25 мм от двери прибора.